



An ISO 9001 : 2008 Certified Company



G M FLOWTECH PVT. LTD.



Better Solutions  
To Control Flow



*Butterfly Valves*





## Profile

**G M Flowtech Pvt. Ltd.** is a truly integrated, incredibly fast and intuitive valve manufacturing company. Our variegated range of valves is specially designed for controlling flow of water, gas, air, oil and steam. The perfect combination of quality valves, field experience and technical know-how has enabled for the birth of product innovation that has positioned us in a headship position in the valve industry. We have a highly qualified and motivated team of experts working endlessly for ensuring that our clients are provided with valves that are of premium quality. Our skilled workforce, technological superiority coupled with sophisticated manufacturing facility helps us in delivering end-to-end valve solutions that successfully caters to customers' needs and satisfaction. The perfect blend of these experienced and professional workforce, latest technology and timely delivery have virtually guaranteed that products manufactured and supplied by us are rated amongst the leading names in the industry.

### Areas of application

Our variegated range of valves caters to the needs of various industries such as Mining, Water Supply Plants, Water Treatment, Sewage Plants, Thermal and Nuclear Plants, Oil Exploration, Pharmaceutical Plants, Fertilizer Plants, Petrochemical Plants, Refineries, Process and Chemical Industries. As a leading valve manufacturer we are proud in having as our clients the principal organizations in these domains worldwide. We use the best of engineering, quality and ingenuity for coming up with innovative and exceptional valves. No, wonder our products are so much in demand.

### The beginning

Ever since the birth of G M Flowtech Pvt. Ltd. in 19/07/2010, we have witnessed an astounding growth and continue to nurture its grass root ideology of persistently upholding high standards of quality and precision. Over the past years we fruitfully focus on augmenting our infrastructure, increasing productivity, improving skills and updating technology. These strengths have enabled us in gaining a distinctive edge over the competition. Today we are counted as one of the most reckoned valve manufacturing group in India providing unmatched solutions and best-in-class valves to our clients the world over at the most nominal prices. We are well equipped with the best state-of-the-art manufacturing unit, R&D facility, testing and quality control that largely contribute towards earning laurels.

### What gives us an edge over others?

- » Latest cutting edge technology
- » Safe and sound operations
- » Customized solutions
- » Premium quality valves of variegated types
- » Cost-effective
- » Timely delivery
- » End-to-end solutions
- » Innovative products



## **Corporate Ideology**

*Continual Improvement is a part of our Corporate Ideology. Innovation generates continual improvement, and this is precisely the creed that sustains our work ethics.*

*Our philosophy is to find the best engineering solutions for the customer's particular requirement or requirements which results in the creation of long standing commercial relationships built on mutual trust and understanding. G M Flowtech Pvt. Ltd. prides itself in having a very close working relationship with its customers and has a much focused market driven philosophy.*

## **Health, Safety & Environment**

- » *Complying with EHS laws, regulations and internal rules*
- » *Management for resource saving, economical use of energy and environment orientation*
- » *Activity for minimizing pollutions*

## **Vision**

*Building a global engineering company, focused on valve manufacturing and catering to the distinct needs of diverse valves of industries across the world.*

## **Mission**

*We are committed to achieve our vision of evolving a global presence by:*

- » *Continuously enhancing our expertise, by investing in latest technologies*
- » *Encouraging innovations and building a talented pool of dedicated engineers*
- » *Adhering to global standards and striving to surpass them*
- » *Developing greater product range and excelling customer satisfaction*

## **Our Competencies**

### **Our Commitments**

*Our commitment is to understand and exceed the expectations of our valued customers, while delivering high quality product, services, and solutions to their most demanding requirements.*

## **GM - Core Values**

*6 C's at GM*

*Commitment | Competence | Collaboration | Confidence | Creativity | Character*

## **Our Promise**

*Our promise is to help our global customers exceed their business goals through the use of our collective resources and experience. We deliver on this promise through our steadfast commitment to listening to our customer's requirements and then delivering the products and service they require. At G M Flowtech Pvt. Ltd. we promise to always use our collective resources and experience to deliver products, services and solutions that help customers exceed their business goals.*

## **Client Servicing.**

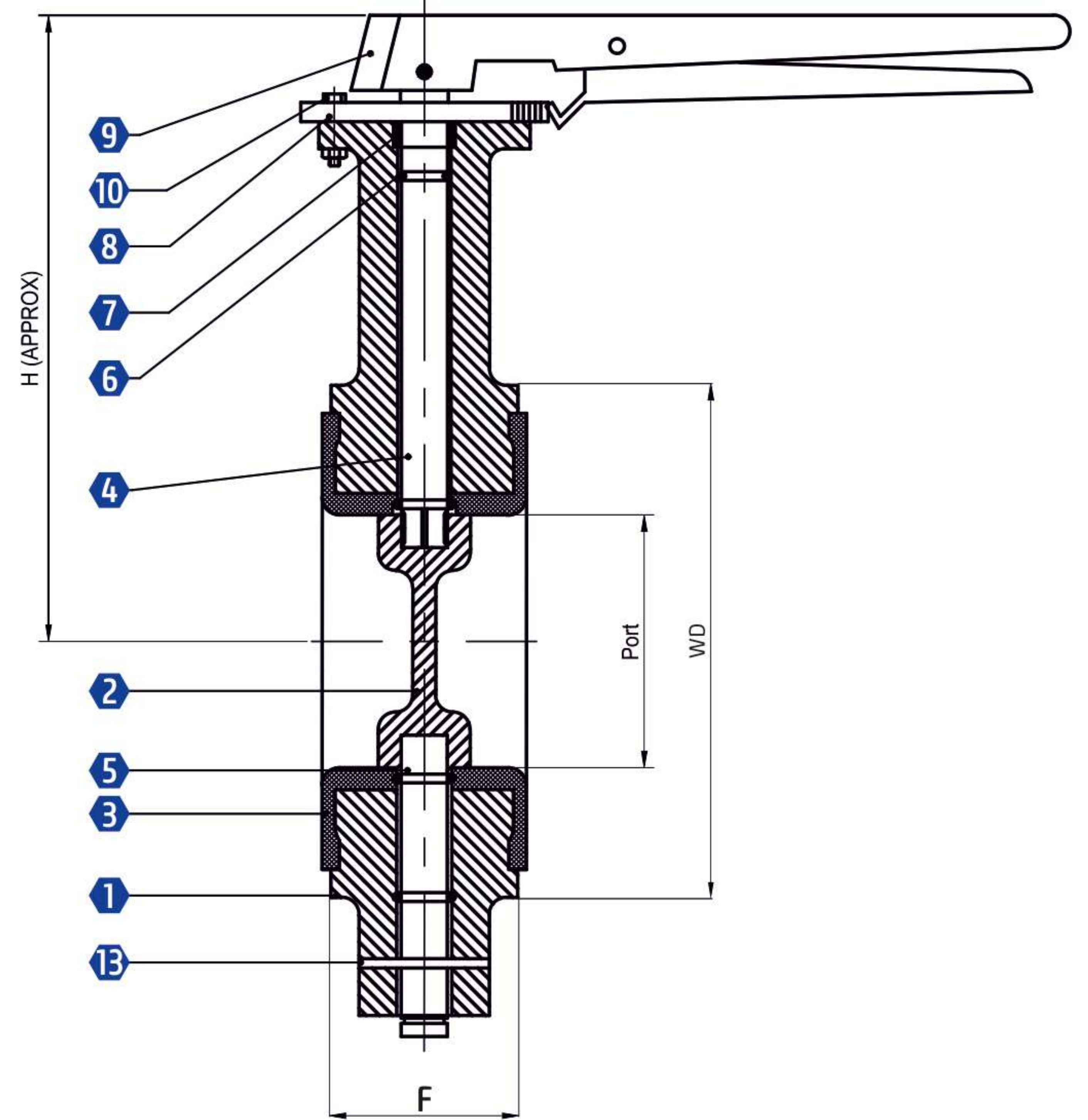
*Our promise is to help our global customers exceed their business goals through the use of our collective resources and experience. We deliver on this promise through our steadfast commitment to listening to our customer's requirements and then delivering the products and service they require. At G M Flowtech Pvt. Ltd. we promise to always use our collective resources and experience to deliver products, services and solutions that help customers exceed their business goals. The company strives to fulfill the customer's right to expect the best we can deliver all of the time. Not only does the company assure products, services but also ascertains the solution of specific customer problems, to meet unique challenges and seize opportunities for growth and worldwide prestige.*

# Butterfly Valves

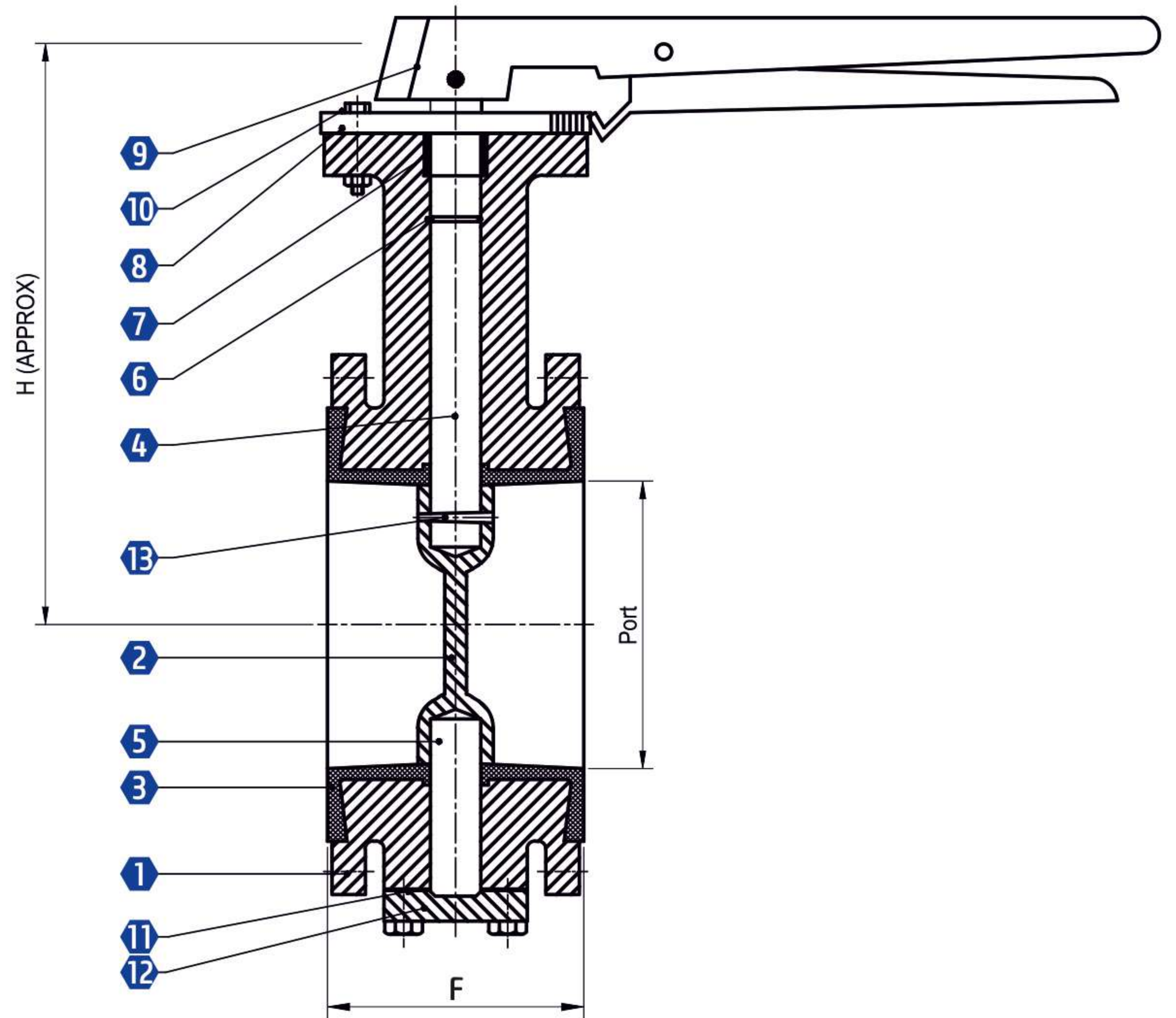
Sr. No.	Description	Material	Qty.
1	Body	C.I./D.I./WCB/CF8/CF8M	1
2	Disc	D.I./WCB/CF8/CF8M	1
3	Liner (Replaceable/Bonding)	NITRILE/EPDM/VITON/SILICON/PTFE	1
4	Drive Stub Shaft	AISI 410/AISI 304/AISI 316	1
5	Tail Stub Shaft	AISI 410/AISI 304/AISI 316	1
6	O-Ring	EPDM/VITON/NITRILE	1
7	Bearing Bush	PTFE/BRONZE	1
8	Notch Disc	CS	1
9	Lever	MS/CS	1
10	Nut & Bolt	CS/SS	2
11	Bottom Gasket	EPDM/PTFE/CAF	1
12	Bottom Plug/Cover	CS/SS	1
13	Taper Pin	AISI 410 /AISI 304/AISI 316	1

Dimension in mm				
Port	150#			H (Approx)
	Flanged	Wafer		
	F	F	WD	
50	127	43	102	105
65	127	43	120	115
80	127	46	133	135
100	127	52	172	140
125	127	56	194	155
150	127	58	219	175
200	152.4	60	276	225
250	203.2	68	337	260
300	203.2	78	406	280
350	203.2	78	447	550
400	203.2	102	511	580
450	203.2	114	546	635
500	203.2	127	603	670
550	203.2	140	--	695
600	203.2	154	714	730
650	203.2	154	775	765
700	304.8	165	832	800
750	304.8	165	883	835
800	304.8	185	940	855
Model No.	GM 500	GM 510		

## Wafer Type



## Flanged Ends

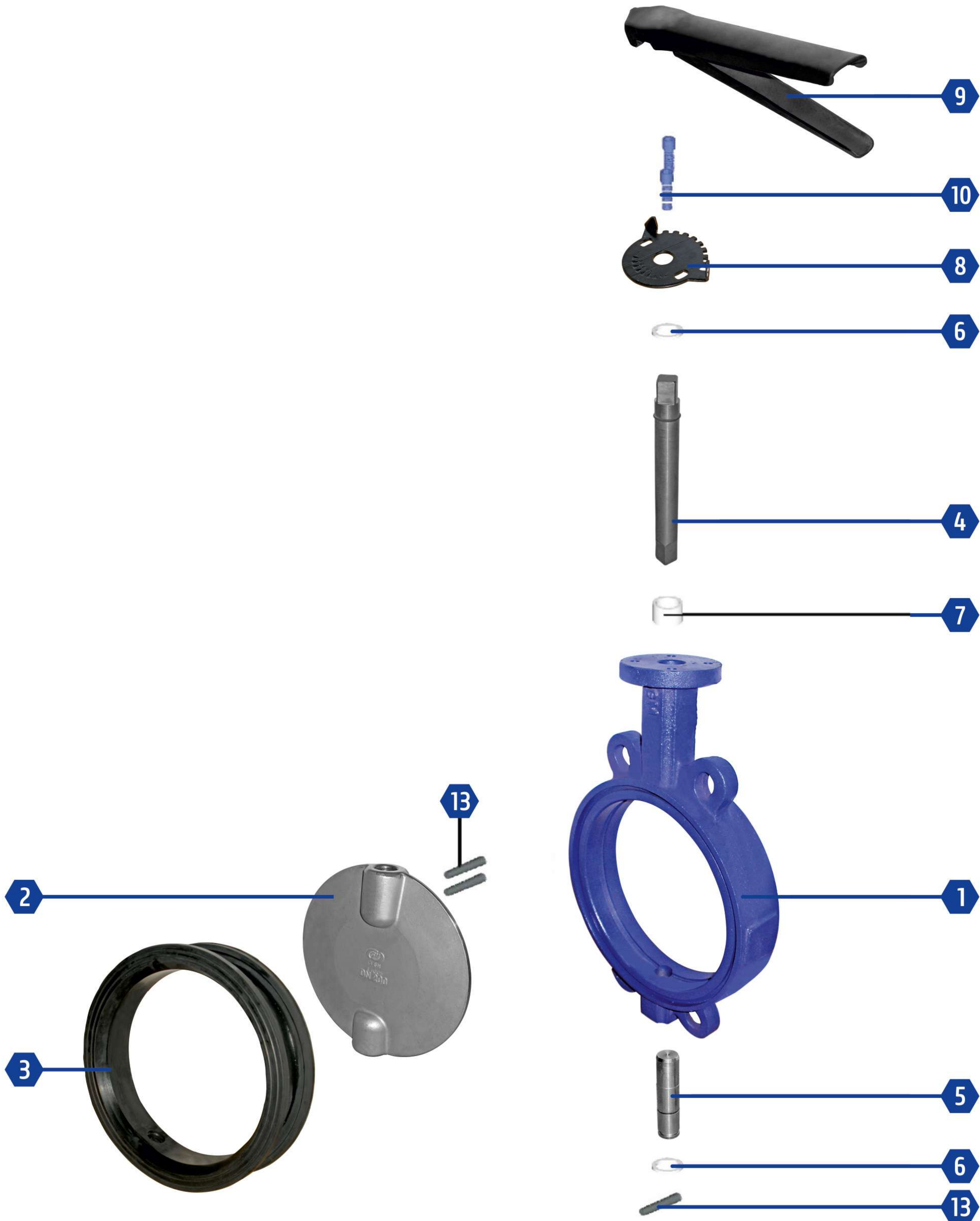


- Tech. Description** : Centric Design Bi-Directional positive Shut-off, Isolation or Flow control Butterfly Valve
- Design & Mfg. Std.** : APL 609 Cat. A/AWWA C504/ BS 5155
- Inspection & Testing Std** : APL 598 / BS 6755 Part- I & II
- Face To Face Std.** : APL 609 Cat. A /AWWA C504 / BS 5155
- End Connection** : Wafer Full lugs / Semi lugs or Flanged to suit ASME B 16.5RF /FF/ASME B 16.47/ AWWA C207 or as per requirement

### Detail Material Specification As Per ASME B 16.34

WCB-CS TO ASTM A 216 GR. WCB	CI-IS 210 FG 200 / 220 / 260	NDT as per ASME B 16.34 can be conducted on demand of Application. TPI can be conducted on Request. Disc can be Nylon / Powder /PTFE Coated or Rubber Lined
CF8-ASTM A 351 GR. CF8	DI A 536	
CF8M-ASTM A 351 GR.CF8M	Inspection Documents as per EN-10204.	

# Centric Disc Butterfly Valve Exploded View

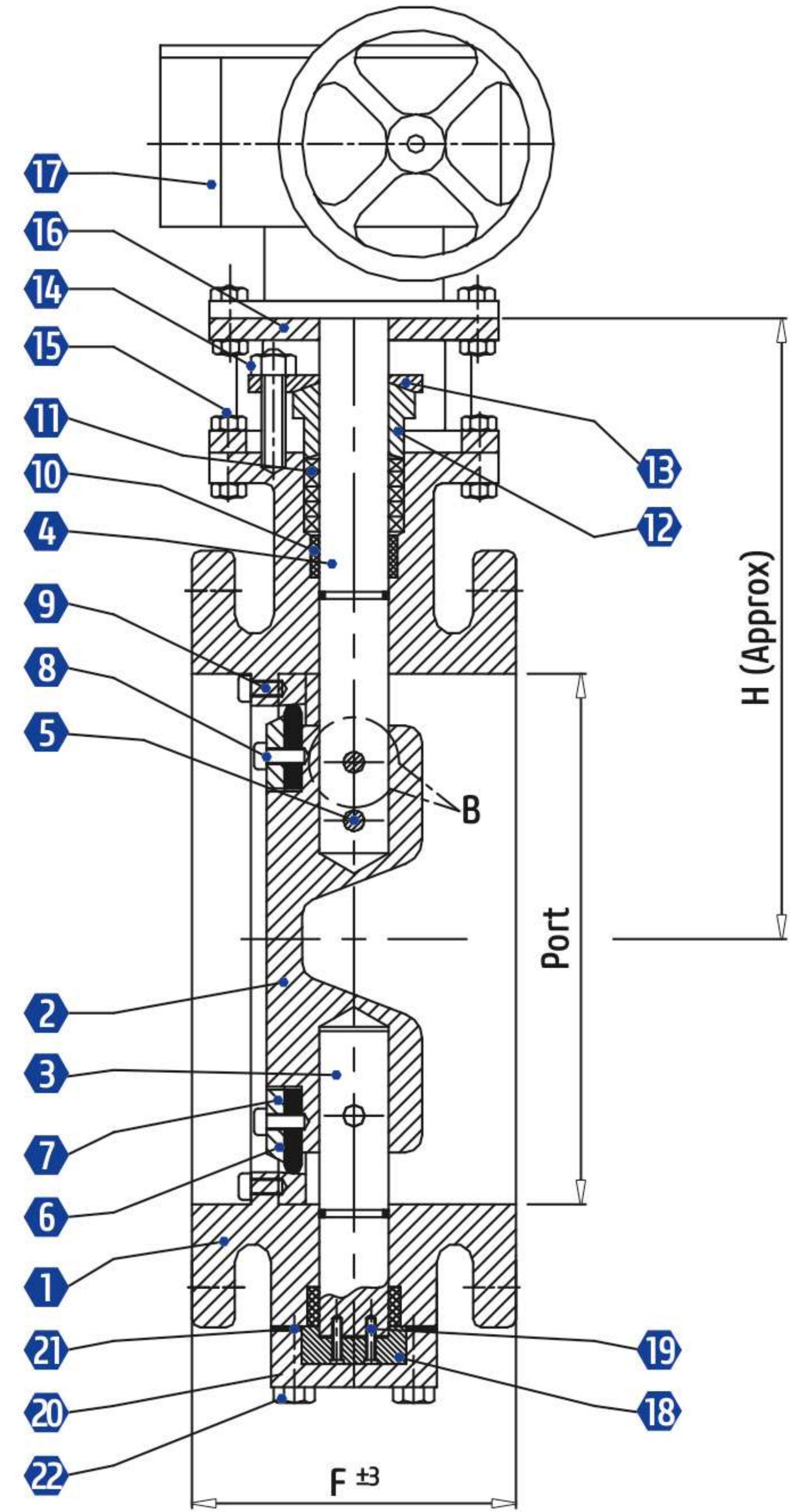


# Butterfly Valves

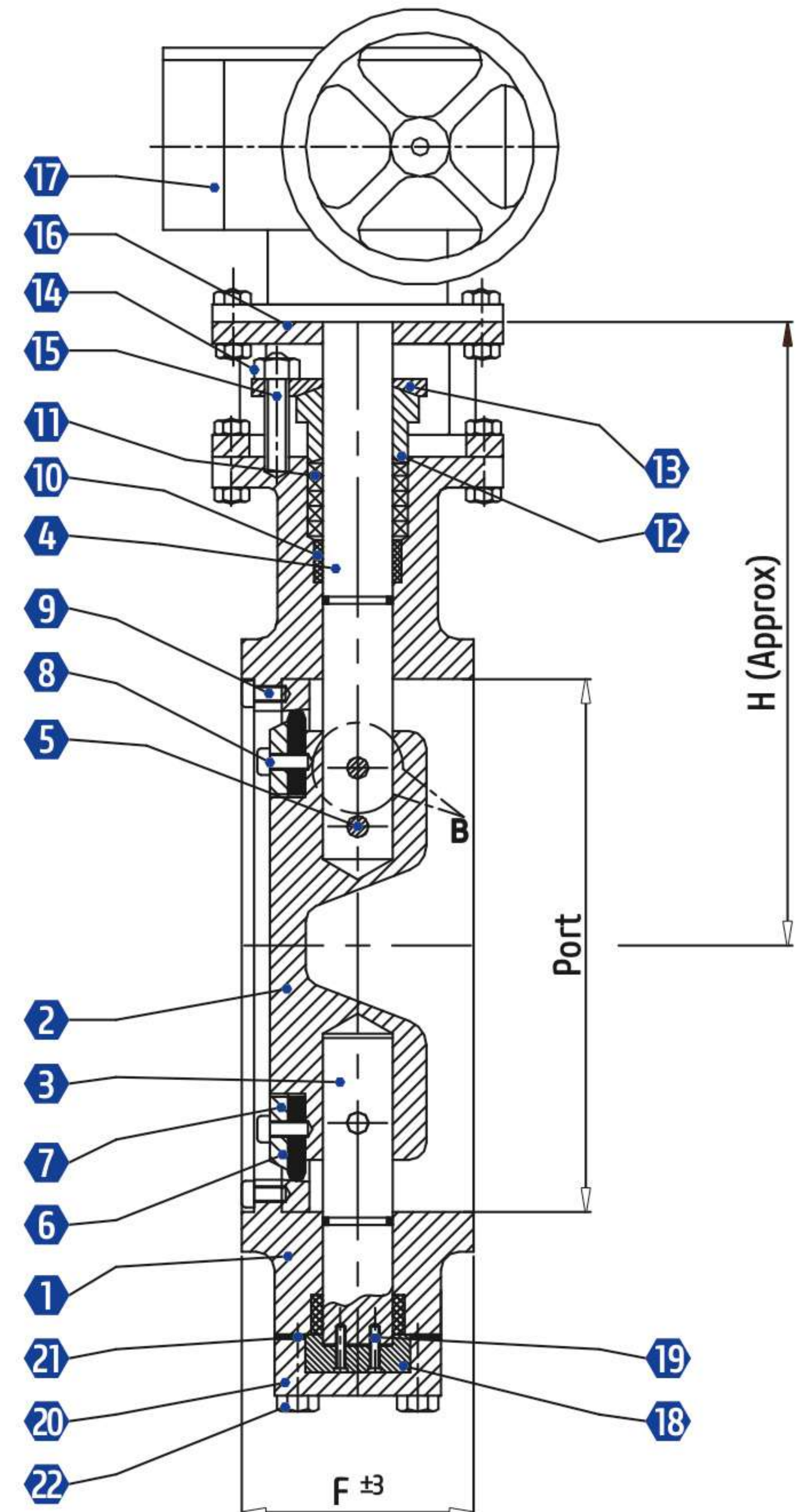
Sr. No.	Description	Material	Qty.
1	Body	C.I./D.I./WCB/CF8/CF8M	1
2	Disc	D.I./WCB/CF8/CF8M	1
3	Tail Stub Shaft	AISI410/AISI304/AISI316	1
4	Drive Stub Shaft	AISI 410/AISI304/AISI316	1
5	Shear Bolt	C.S./S.S.	Size/Rating
6	Disc Seal Ring	EPDM/NITRIAL/VITON/PTFE/*	1
7	Retaining Ring	SS304/SS316	1
8	Retaining Screw	C.S./S.S.	Size/Rating
9	Body Seat	C.S./S.S.	1
10	Stem Bushing	PTFE/BRONZE	2
11	Gland Packing	GRAPHITED ASBESHTOS/PTFE/GRAFOILE	4
12	Gland Bush	C.S./S.S.	1
13	Gland Flange	C.S./S.S.	1
14	Studs & Nuts (Gland)	C.S. /ASTM A 193 G R.B7/ A 194 GR. 2 H. AST M A 193 G R.B8/A 194 G R.8 ,	Size/Rating
15	Studs,Nuts & Washer (Bracket)	C.S./ASTM A 193 G R .B7/A 194 G R.2 H, AST M A 193 G R.B8/A 194 G R.8,	Size/Rating
16	Bracket	MS FABRICATED /C.S.	1
17	Gear BOX (Worm & Wheel Type)	C.I. /MS FABRICATED	1
18	Thrust Ped	C.S.	1
19	Thrust Ped Clamping Screw	C.S./S.S.	2
20	Bottom Cover	C.I./D.I./WCB/CF8/CF8M	1
21	End Cover Gasket	PTFE/CAF/GRAFOILE	1
22	End Cover Bolt	C.C./ASTM A 193 G R. B7/B8	Size/Rating

\*SS shims impregnated with Grafoil to suit High Temp.up to 700°C

## Flanged Ends



## Wafer Type



Dimension are in mm									
Port	150#			300#			600#		
	(Flanged) F	(Wafer) F	H	(Flanged) F	(Wafer) F	H	(Flanged) F	(Wafer) F	H
50	108	43	180	--	--	180	150	--	180
65	112	46	190	--	--	190	170	--	190
80	114	48	230	114	48	230	180	54	230
100	127	54	240	127	54	240	190	64	240
150	140	57	290	140	59	290	210	78	290
200	152	64	335	152	73	335	230	102	335
250	165	71	390	165	83	390	250	117	390
300	178	81	415	178	92	415	270	140	415
350	190	92	550	190	117	550	290	155	550
400	216	102	580	216	133	580	310	178	580
450	222	114	635	222	149	635	330	200	635
500	229	127	670	229	159	670	350	216	670
600	267	154	730	267	181	730	390	232	730
Model No.	GM 520	GM 530		GM 540	GM 550		GM 560	GM 570	

**Tech. Description** : Single/Double/Triple Eccentric Design Bi-Directional/Uni-Directional positive Shut-off, Isolation or Regulatating duty Butterfly Valve

**Design & Mfg. Std.** : API 609 Cat.B/AWWA C504/BS 5155

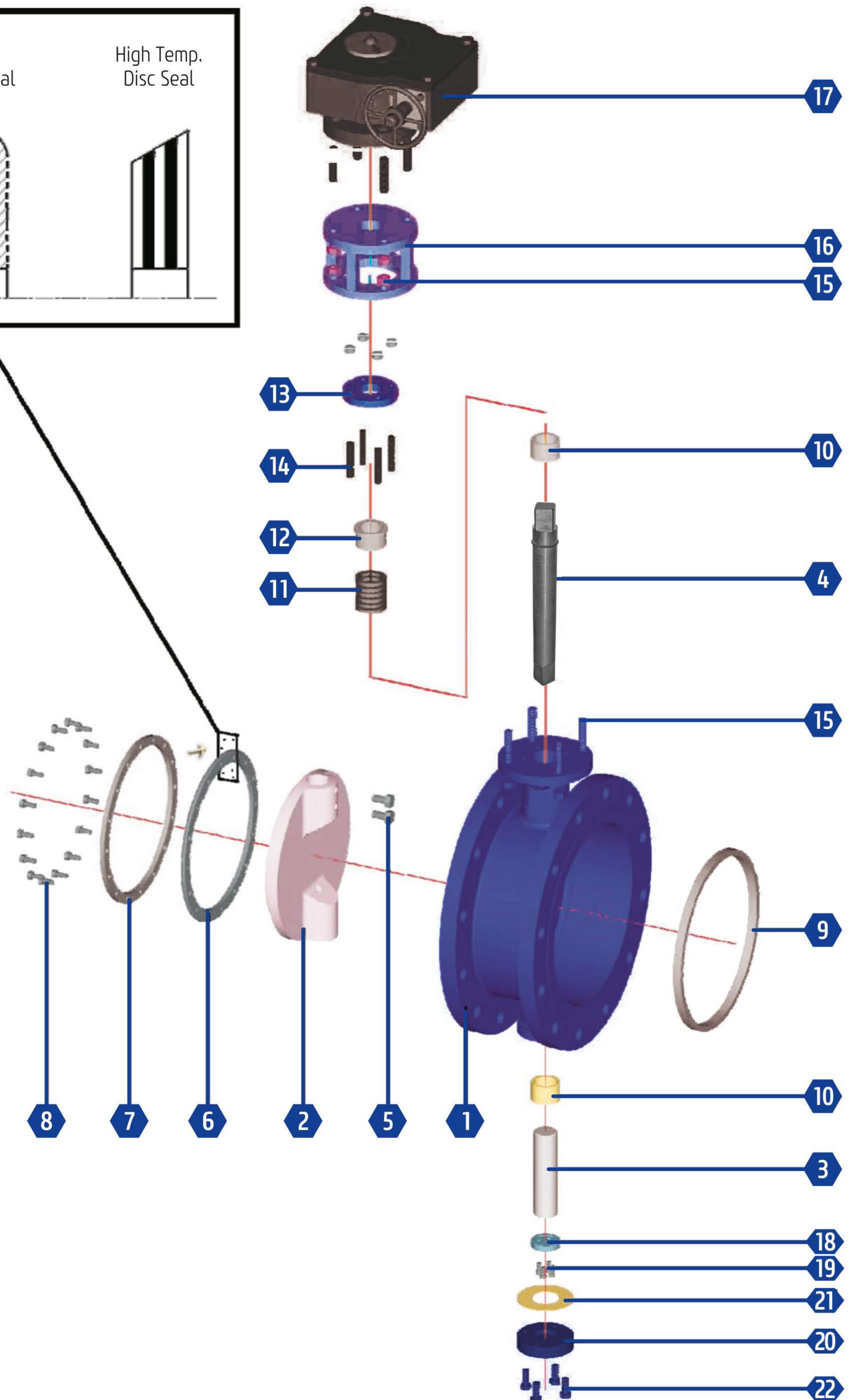
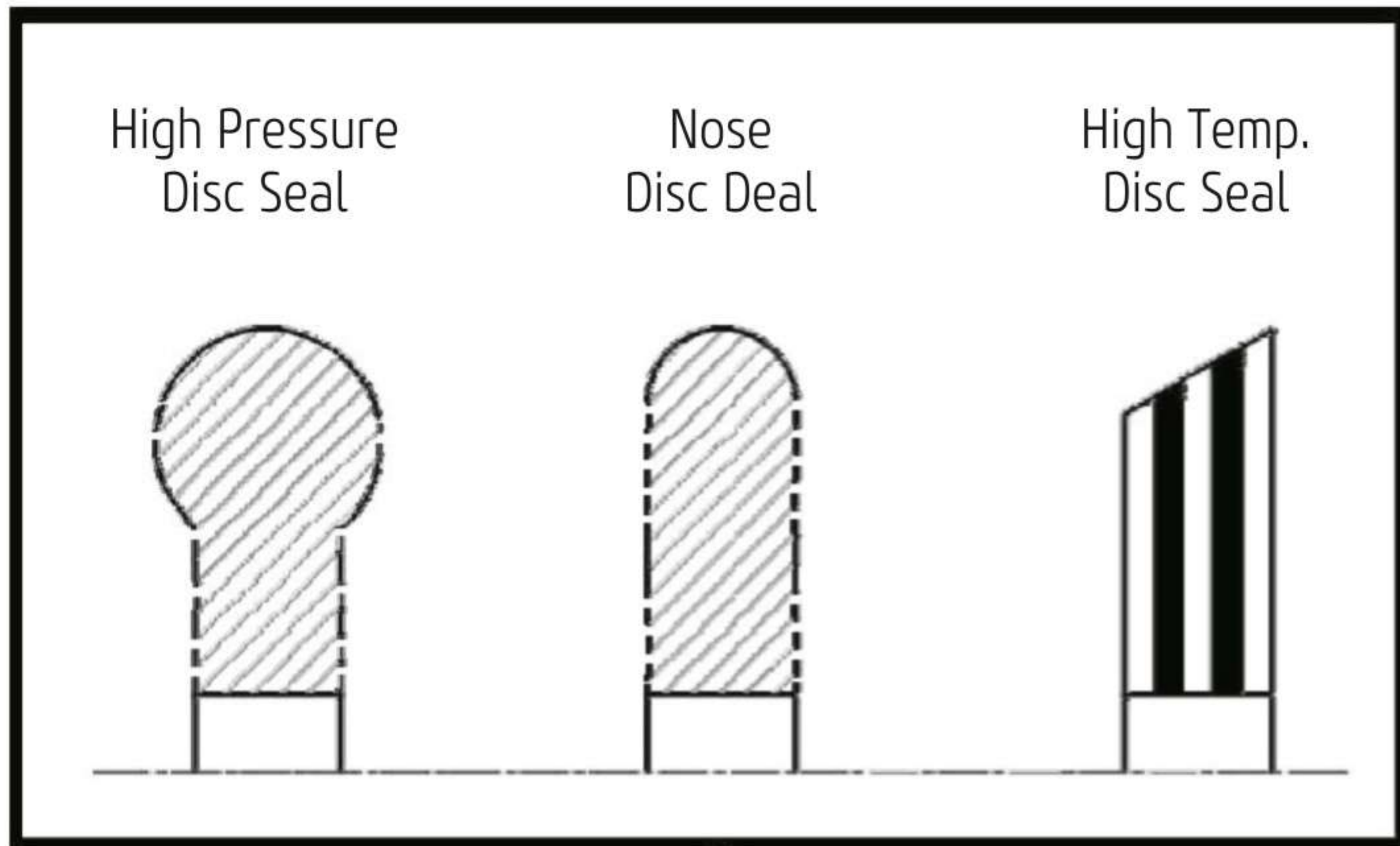
**Inspection & Testing Std** : API 598 / BS 6755 Part I & II

**Face To Face Std.** : API 609 Cat.B /AWWA C504 / BS 5155

**End Connection** : Wafer Full lugs / Semi lugs or Flanged to suit ASME B 16.5RF/FF/ASME B 16.47/ AWWA C207 or as per requirement



# Single / Double / Triple Eccentric Disc Butterfly Valve Exploded View

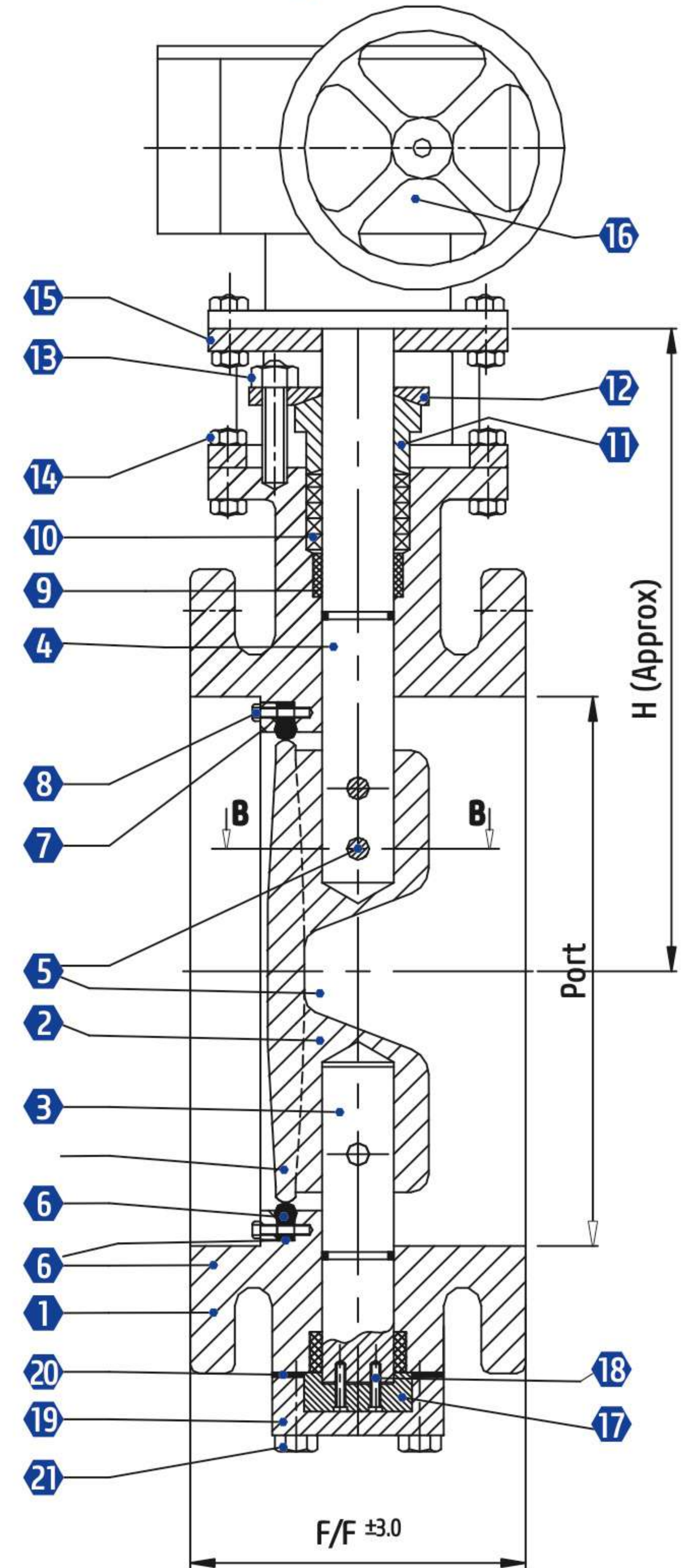


# Butterfly Valves

Sr. No.	Description	Material	Qty.
1	Body	C.I./D.I./WCB/CF8/CF8M	1
2	Disc	D.I./WCB/CF8/CF8M	1
3	Tail Stub Shaft	AISI 410/AISI 304/AISI316	1
4	Drive Stub Shaft	AISI 410/AISI304/AISI316	1
5	shear Bolt	C.S./S.S.	2
6	Lip Seal Ring	EPDM/NITRIAL/VITON/PTFE/*	1
7	Retaining Ring	SS 304/SS 316	1
8	Retaining Screw	C.S./S.S.	Size/Rating
9	Stem Bushing	PTFE/BRONZE	2
10	Gland Packing	GRAPHITED ASBESHTOS/PTFE/GRAFOILE	6
11	Gland Bush	C.S./S.S.	2
12	Gland Flange	C.S./S.S.	1
13	Studs & Nuts (Gland)	C.S./ASTM A 193 G R.B7/A 194 G R. 2H, ASTM A 193 GR.B8/A 194 GR.8,	Size/Rating
14	Studs, Nuts & Washer (Bracket)	C.S./ASTM A 193 G R.B7/A 194 G R. 2 H, ASTM A 193 GR.B8/A 194 GR.8,	Size/Rating
15	Bracket	MS FABRICATED /C.S.	1
16	Gear Box (Worm & Wheel Type)	C.I./MS FABRICATED/C.S.	1
17	Thrust Ped	C.S.	1
18	Thrust Ped Clamping Screw	C.S./S.S.	2
19	Bottom Cover	C.I./D.I. /WCB/CF8/CF8M	1
20	End Cover Gasket	PTFE/CAF/GRAFOILE	1
21	End Cover Bolt	C.C./ASTM A 193 GR. B7/B8	Size/Rating

\* SS shims impregnated with Grafoil to suit High Temp. up to 700°C

## Flanged Ends



Dimension are in mm									
Port	150#			300#			600#		
	(Flanged) F	(Wafer) F	H	(Flanged) F	(Wafer) F	H	(Flanged) F	(Wafer) F	H
	292	--	--	292	--	--	--	--	--
700	292	--	800	292	--	800	--	--	--
750	318	--	835	318	--	835	--	--	--
800	318	--	855	318	--	855	--	--	--
900	380	--	925	380	--	925	--	--	--
950	410	--	--	410	--	--	--	--	--
1000	410	--	--	410	--	--	--	--	--
1050	410	--	995	410	--	995	--	--	--
1200	470	--	1155	470	--	1155	--	--	--
1400	530	--	1305	--	--	--	--	--	--
1600	600	--	--	--	--	--	--	--	--
1800	670	--	--	--	--	--	--	--	--
Model No.	GM 520	GM 530		GM 540	GM 550		GM 560	GM 570	

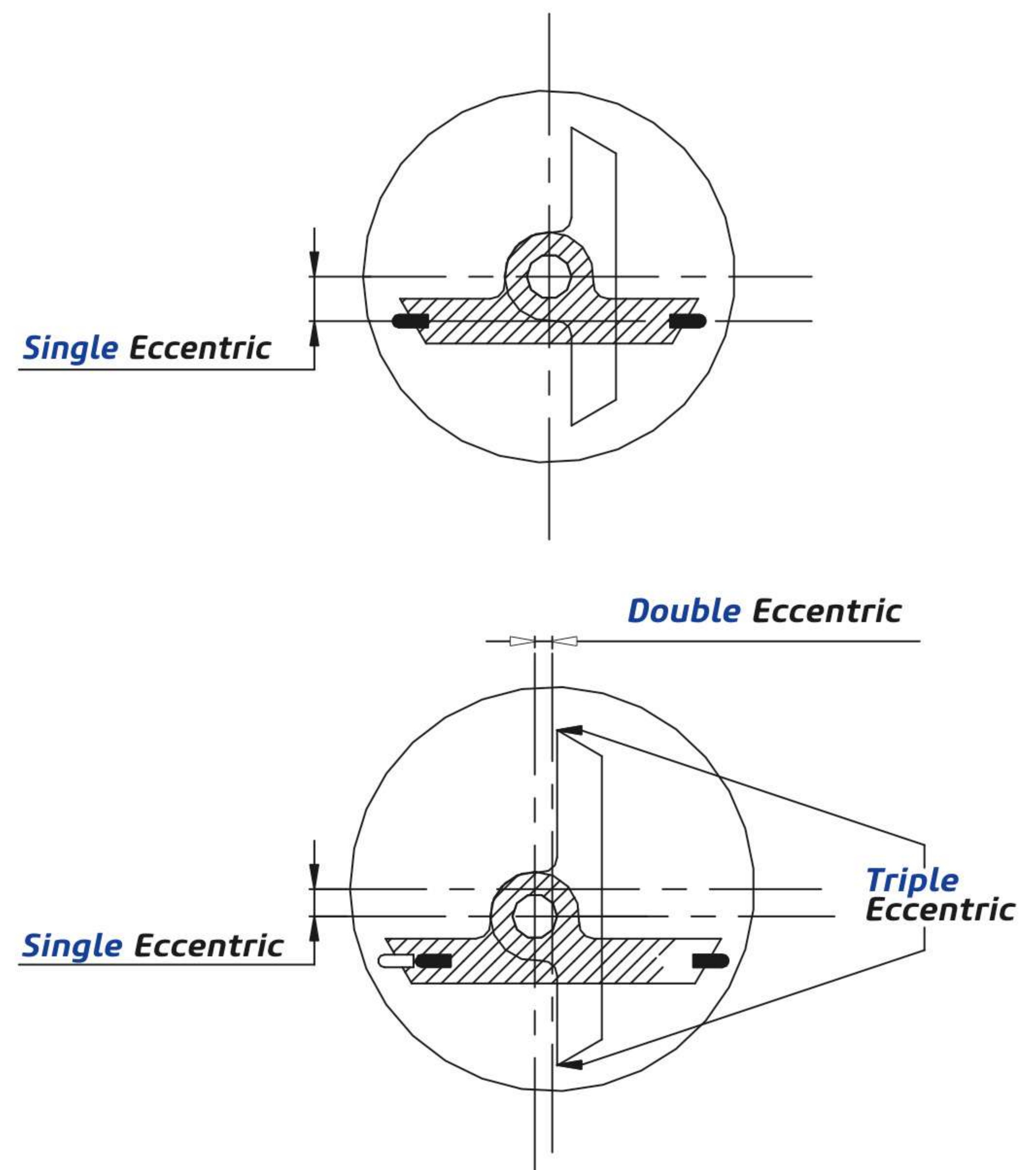
**Tech. Description** : Single/Double/Triple Eccentric Design Bi-Directional/Uni-Directional positive Shut-off, Isolation or Regulatating duty Butterfly Valve

**Design & Mfg. Std.** : API 609 Cat.B/AWWA C504/BS 5155

**Inspection & Testing Std** : API 598 / BS 6755 Part I& II

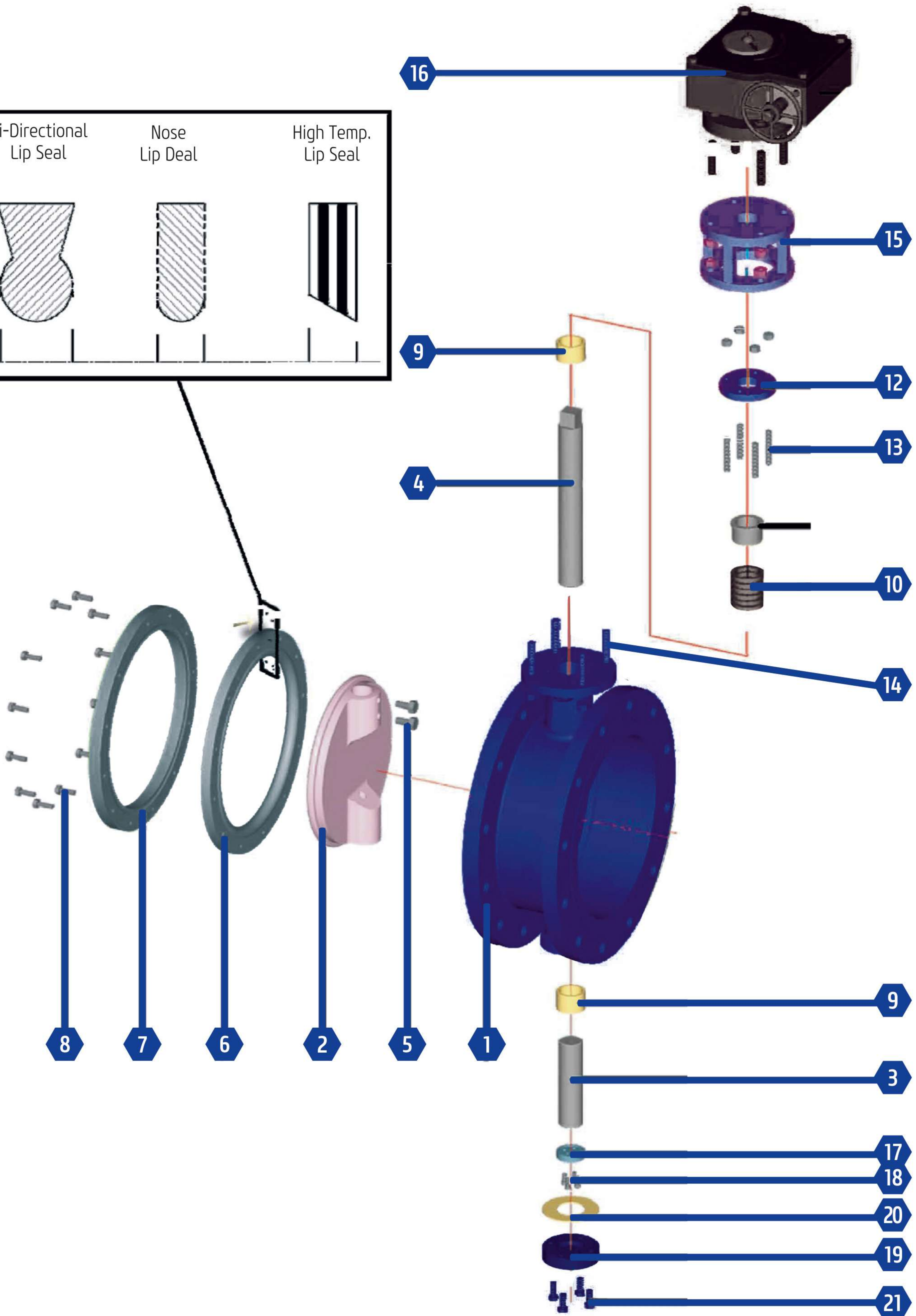
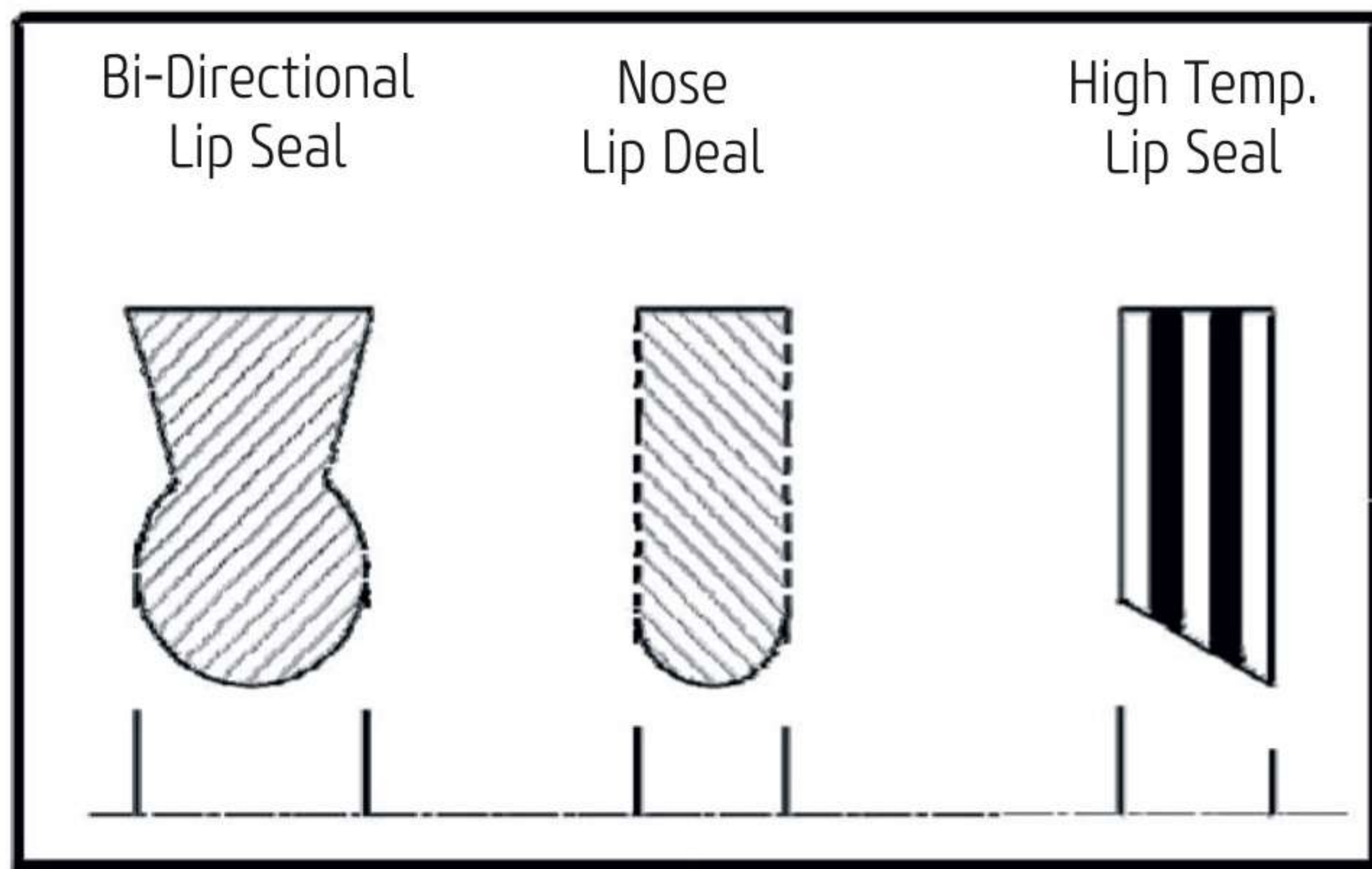
**Face To Face Std.** : API 609 Cat.B /AWWA C504 / BS 5155

**End Connection** : Wafer Full lugs / Semi lugs or Flanged to suit ASME B 16.5RF/FF/ASME B 16.47/ AWWA C207 or as per requirement



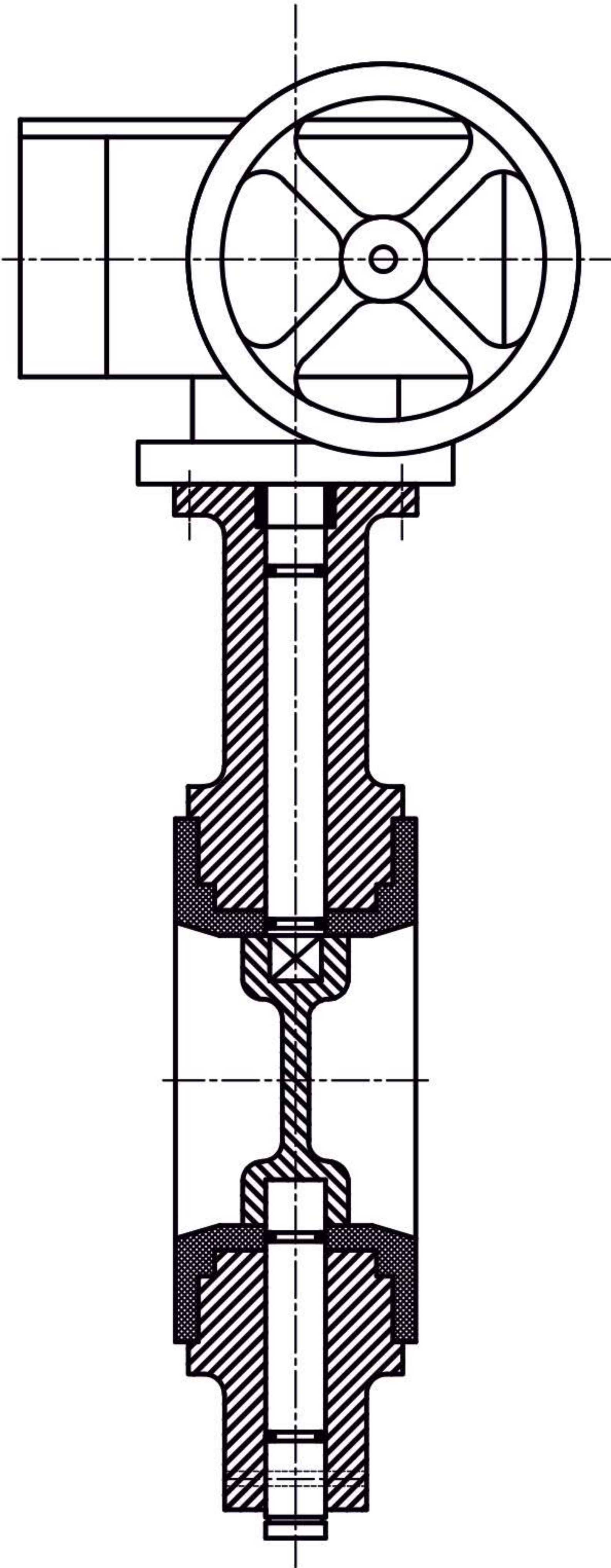


# Eccentric Disc Lip Seal Design Butterfly Valve Exploded View

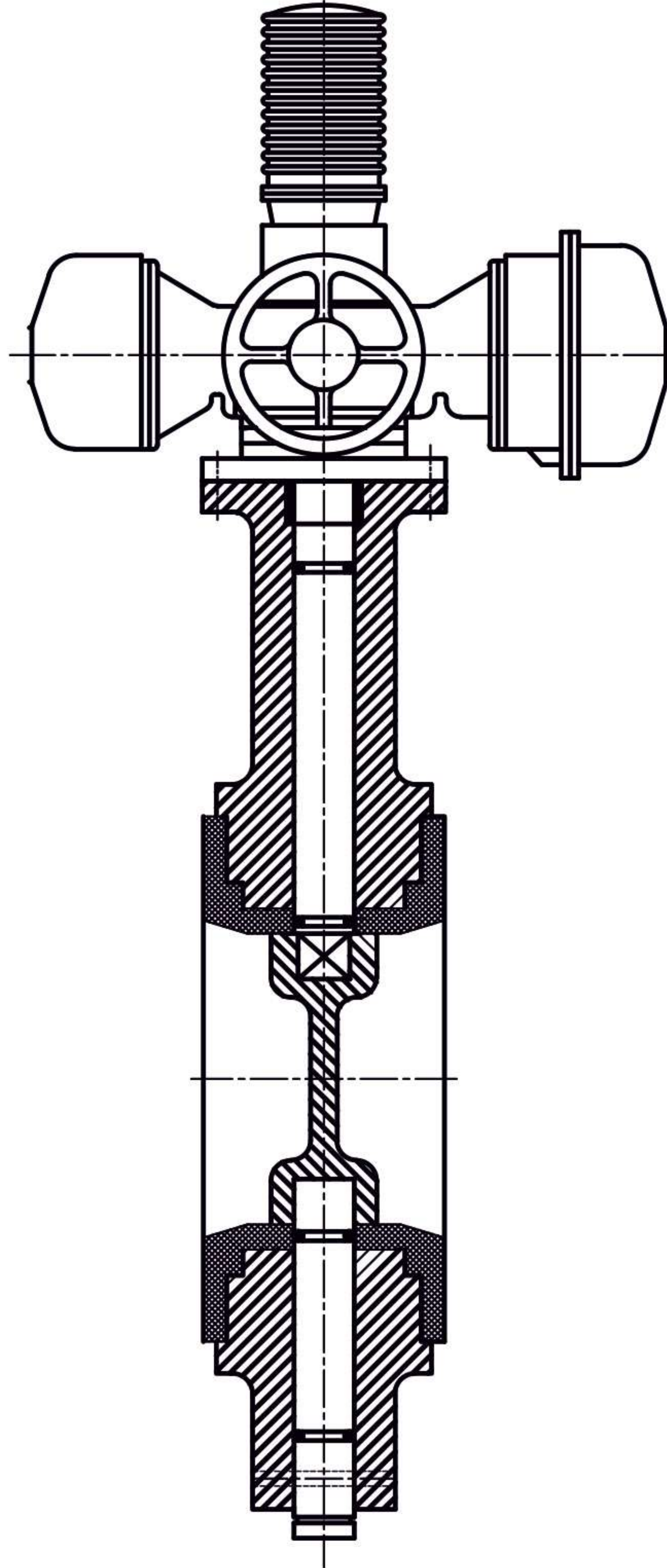


# Butterfly Valves

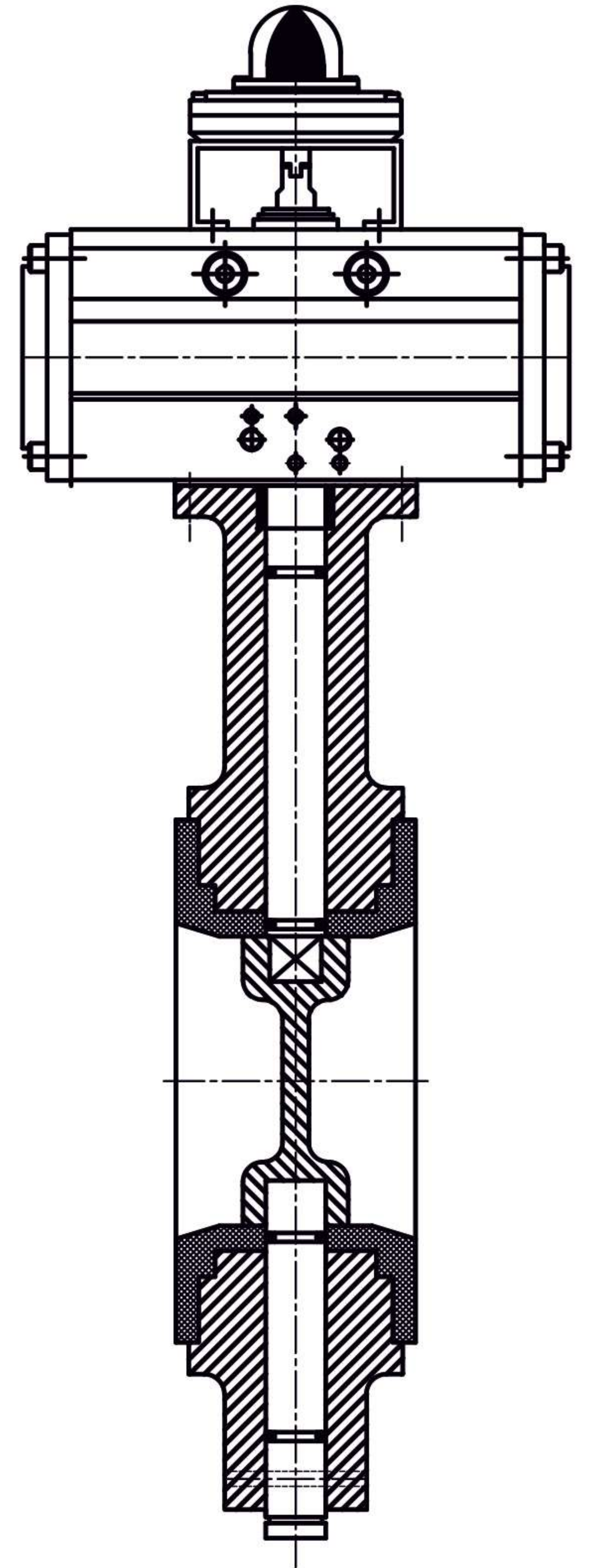
*Gear Operated*



*Electric Operated*



*Pneumatic Operated*





- » In addition to above on demand of Application GM Butterfly Valves can be provided with scotch yoke Pneumatic hydraulic type and Pneumatic hydraulic rack and Pinion type Actuators.
- » Gas over oil actuator (GOV) and system can be provided
- » Gas Actuator (AV) in place of (GOV) can be provided.-\*





## **G M FLOWTECH PVT. LTD.**

**Office & Works:**

Plot No. 2510, Road No. H1,

G.I.D.C. Lodhika, Village: Metoda - 360021,

Dist.: Rajkot (Gujarat) India.

☎ +91 2827 297913

☎ +91 90990 85037

✉ valve@gmflowtech.com

🌐 www.gmflowtech.com