



3-WAY VALVES

INDITECH VALVES PVT. LTD.
Values 'n' Valves

3-WAY VALVE (SERIES 220)

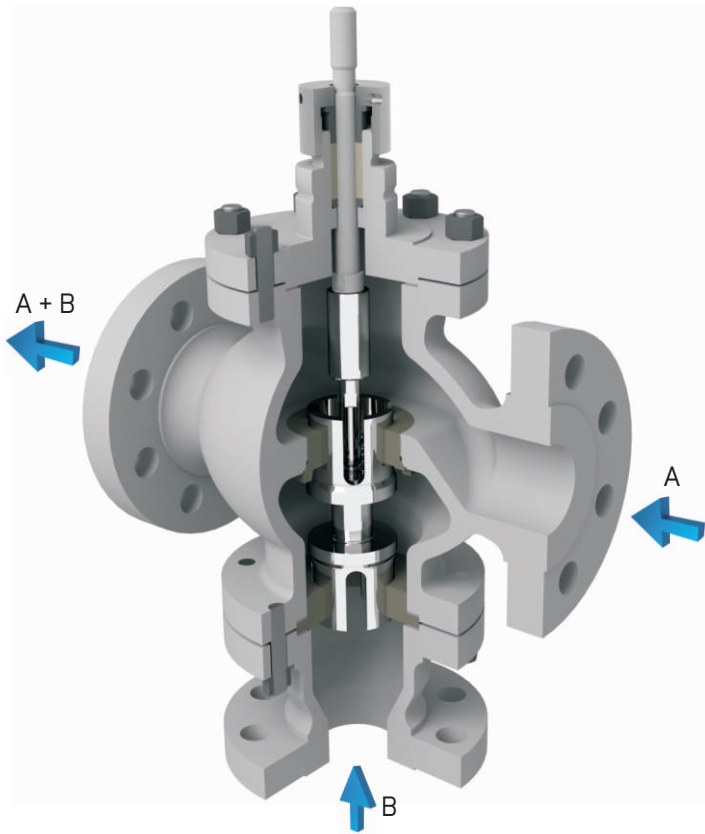
The IndiTech Series 220 three-way valve is used for mixing or diverting service in a process control system. A mixing service valve combines two fluid streams and discharges the mixed fluid to a common outlet port. A diverting service valve splits a common fluid stream into two outlet ports. This valve is ideally suited for applications involving thermic fluid, water, steam, oils & other industrial fluids. Both mixing and diverting type valves are designed so that flow tends to open the plug passages, thereby avoiding vibrations and leading to stable process control. The simple valve construction ensures reliable performance and easy in-line maintenance.

TECHNICAL DATA

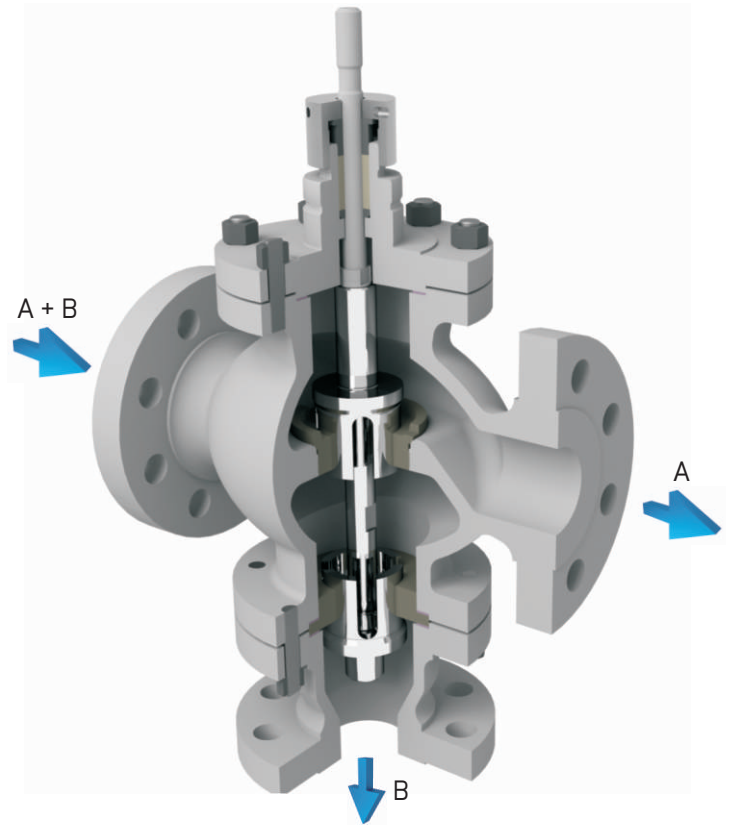
Size	1" to 12" NB / Higher sizes available on request
Pressure Rating	ANSI #150 / ANSI #300 / ANSI #600 / Higher ratings available on request
End Connections	Flanged / Socket Weld / Butt Weld
Body MOC	Carbon Steel / Stainless Steel / Alloy Steel / Other materials available on request
Bonnet	Standard Bolted / Cooling Finned
Actuator	Pneumatic / Electrical
Seat Leakage	Class IV / Class V / Class VI
Duty	Control / On-Off
Types	220-M, 3-way Mixing Valve 220-D, 3-way Dividing Valve

FEATURES

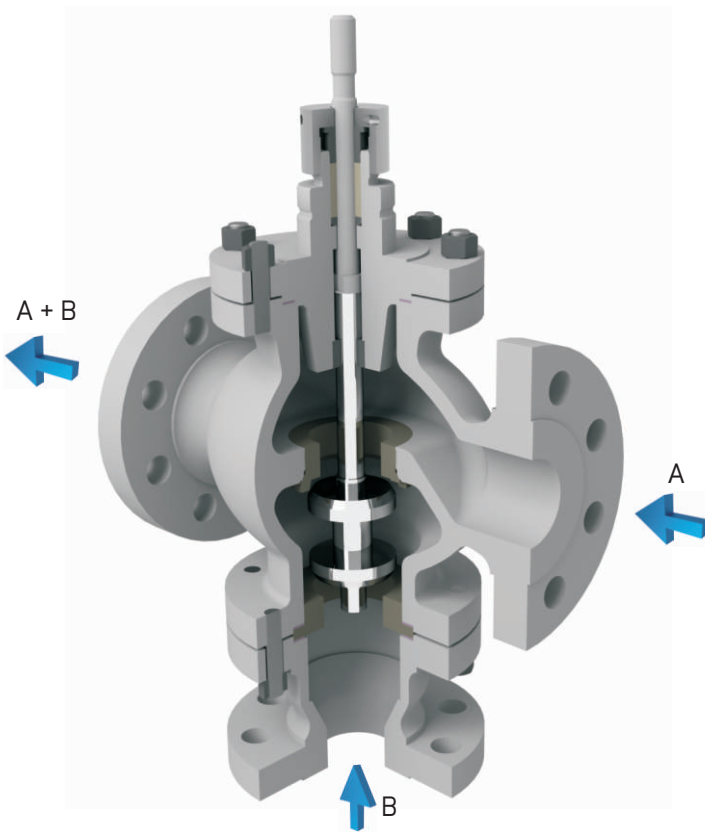
- Streamlined valve body design optimized to handle high capacity flows.
- Slotted plug for regulating control duty.
- Disk type plug for on-off duty.
- Trim provided with both top guiding & seat guiding, thus helping to eliminate problems of vibrations.
- Double seated design with flow tending to open both ports. This provides flow stability with excellent process control.
- Easy in-line maintenance facilitated by both top and bottom entry access to valve internals.
- Modular design with interchangeable parts for both mixing and dividing designs.



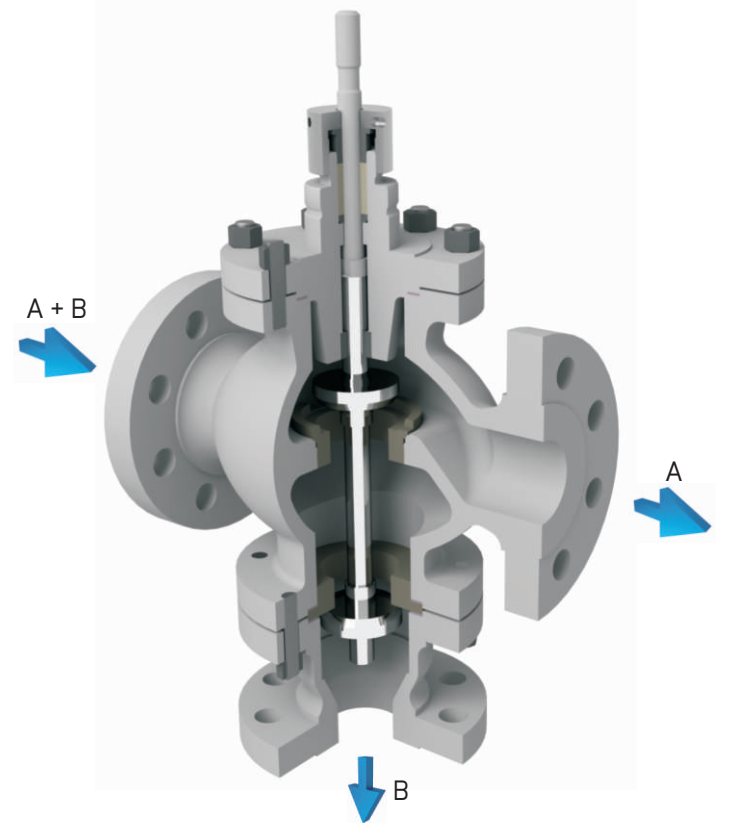
3-WAY MIXING CONTROL VALVE



3-WAY DIVIDING CONTROL VALVE



3-WAY MIXING ON-OFF VALVE



3-WAY DIVIDING ON-OFF VALVE

INDITECH PRODUCTS

- Control Valves
- PRDS Valves
- Blowdown Valves
- Desuperheaters
- PRS & PRDS Systems
- Lifting Ball Type Check Valves

SOME OF OUR ESTEEMED CLIENTS



INDITECH VALVES PVT. LTD.

Regd. Office:

21 'Shubham', Prosperity Society,
Karvenagar, Pune - 411052, India.
Tel: +91 20 25420021
Email: info@inditechvalves.com

Works:

Plot No. 5, Gat No. 171, 172 & 177,
Village Dhanore, Alandi Markal Road,
Pune - 412105, India.